

**HCP Health Care Product
Monitor Swing Arm Ponga (Silver Fern)
OMMWS002S**

All directional wall mounted monitor swing arm with

- * Left & right swing 180° from wall
- * Two arms concertina
- * up & down with gas strut technology
- * monitor tilt down function
- * Cable management back to wall
- * Grab handle

Designed & manufactured in New Zealand
Material: aluminium, electro galvanising steel & ABS Plastic

Finished: Anotec white powder coating

Designed for Philips MP30 monitor Kg10

Height 300mm
Width 140mm
Length 220mm minimum to 760mm maximum

Cable Ways Ltd

12 Lansford Crescent, Avondale, 0600, Auckland
P O Box 60011, Titirangi, 0642, Auckland
Ph (09) 820 5220
Fax (09) 820 6220

Website www.cable-ways.co.nz

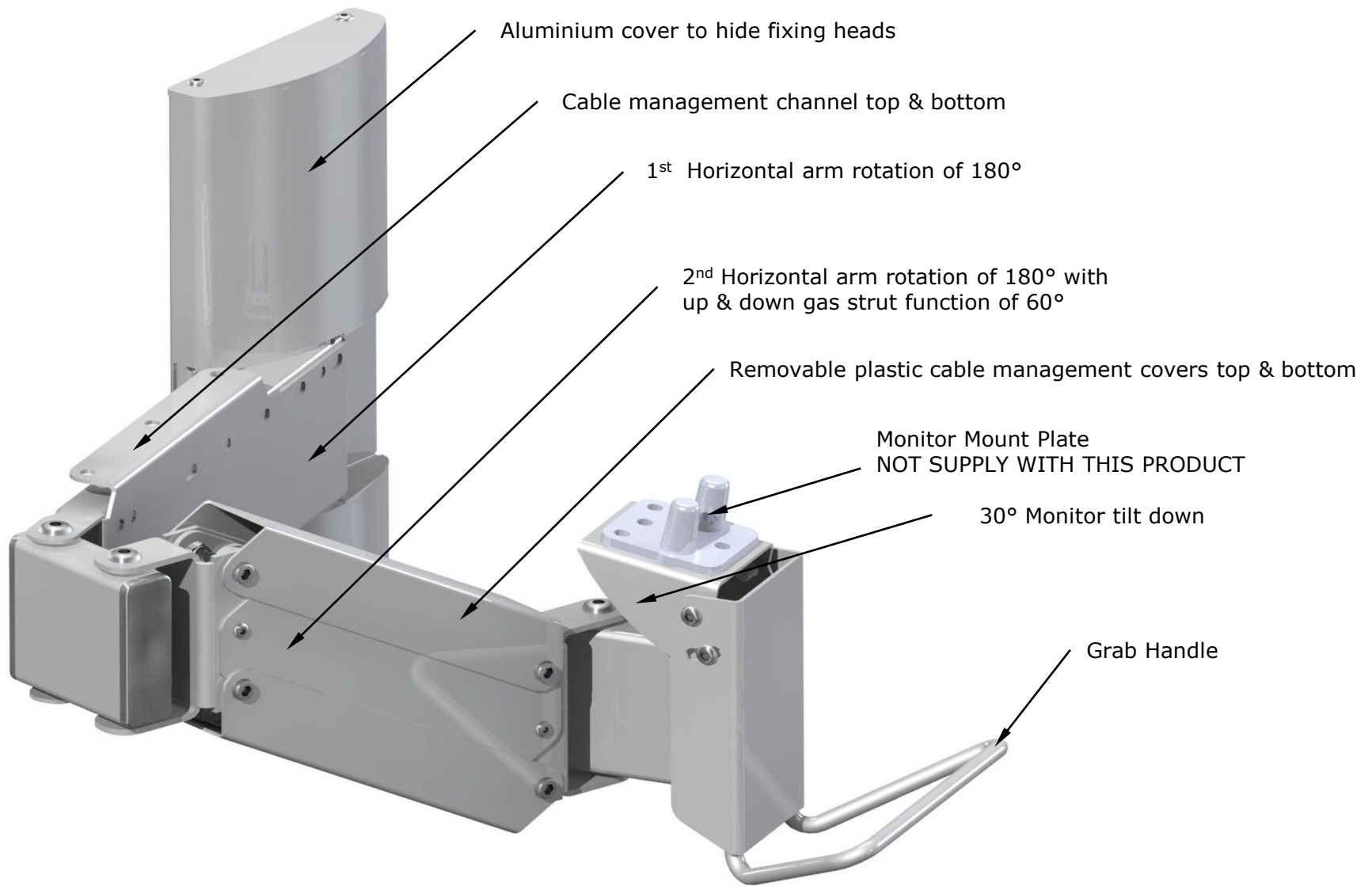


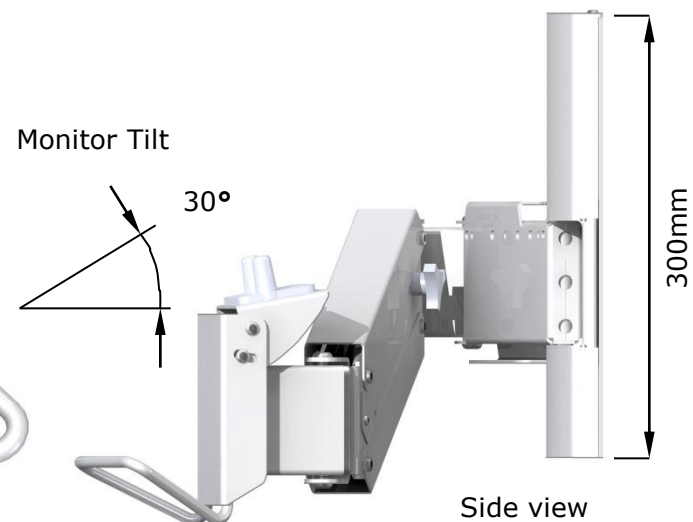
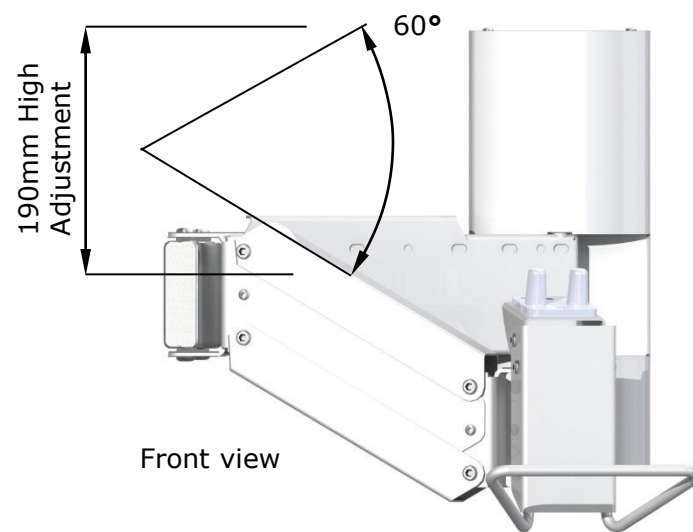
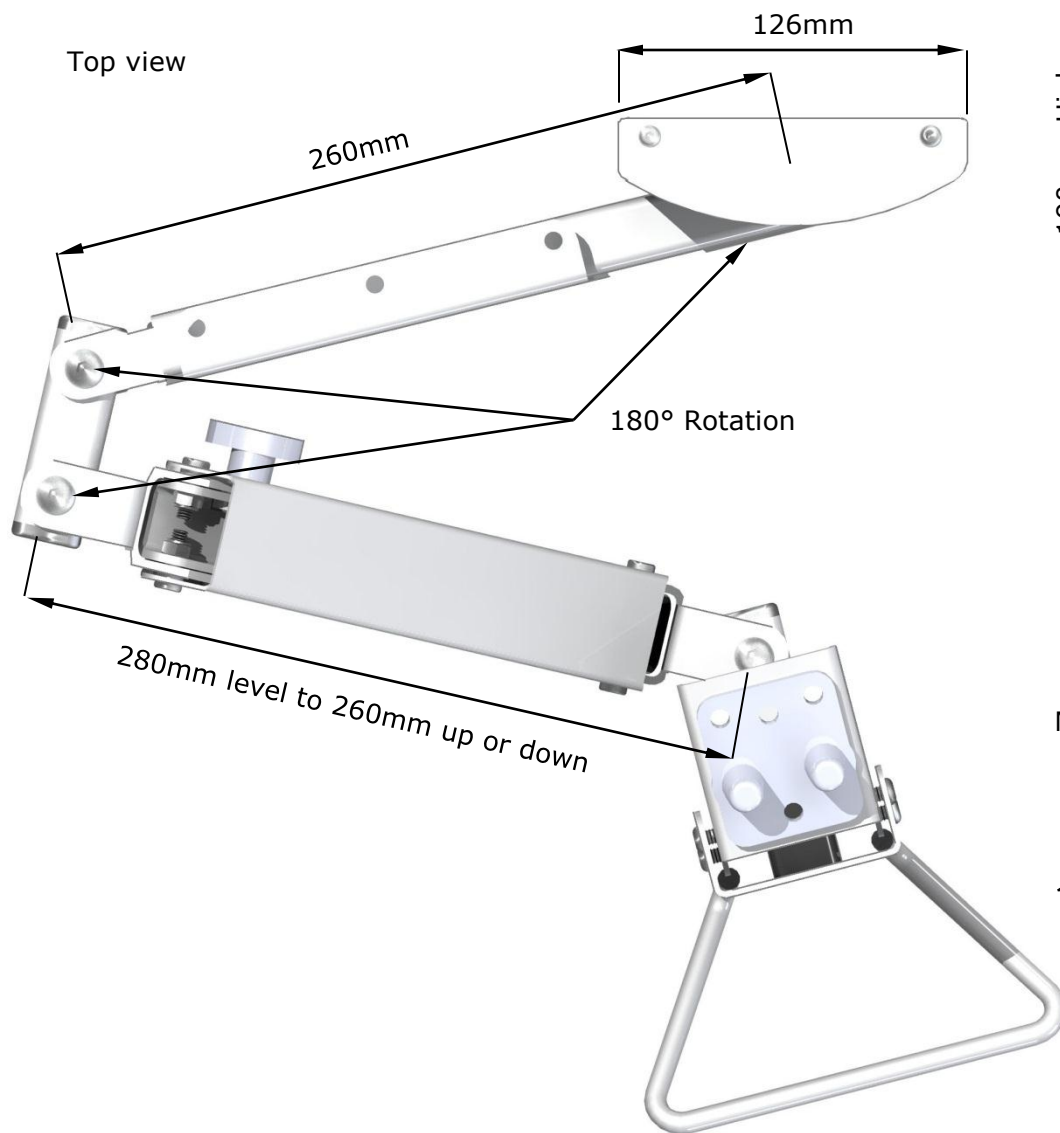
HCP
HEALTH CARE PRODUCTS

**Ponga (silver fern)
Monitor Swing Arm**

© Cable Ways Ltd 2010
Registered design
NZ PCT Pat priority
OMMWS002S







1) Attach backmount to wall (must be vertically level)
For wooden walls use wood-tec screws.
Insure location is through wall framework (studs)
Do not attach directly to plaster wall.
For concrete wall use wall plugs + wood-tec screws

2) Attach lower cover to backmount by sliding from top to bottom

3) Attach plastic cover in the same way

4) Attach horizontal swing arm to lower cover

5) Attach upper cover by sliding from top

6) Screw top plate to backmount

7) Attach monitor mounting plate using screw provided with mounting plate

8) Attach monitor

